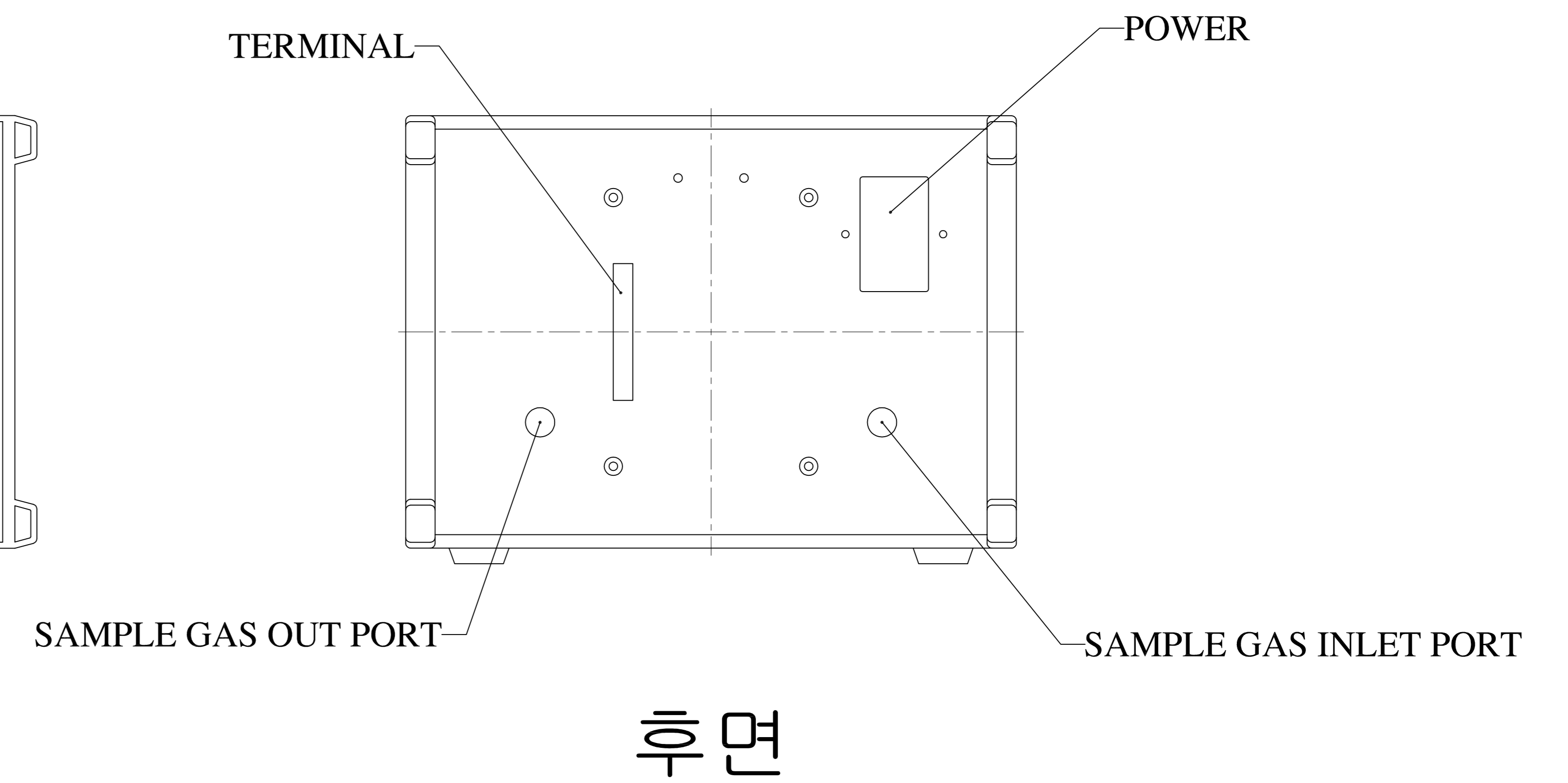
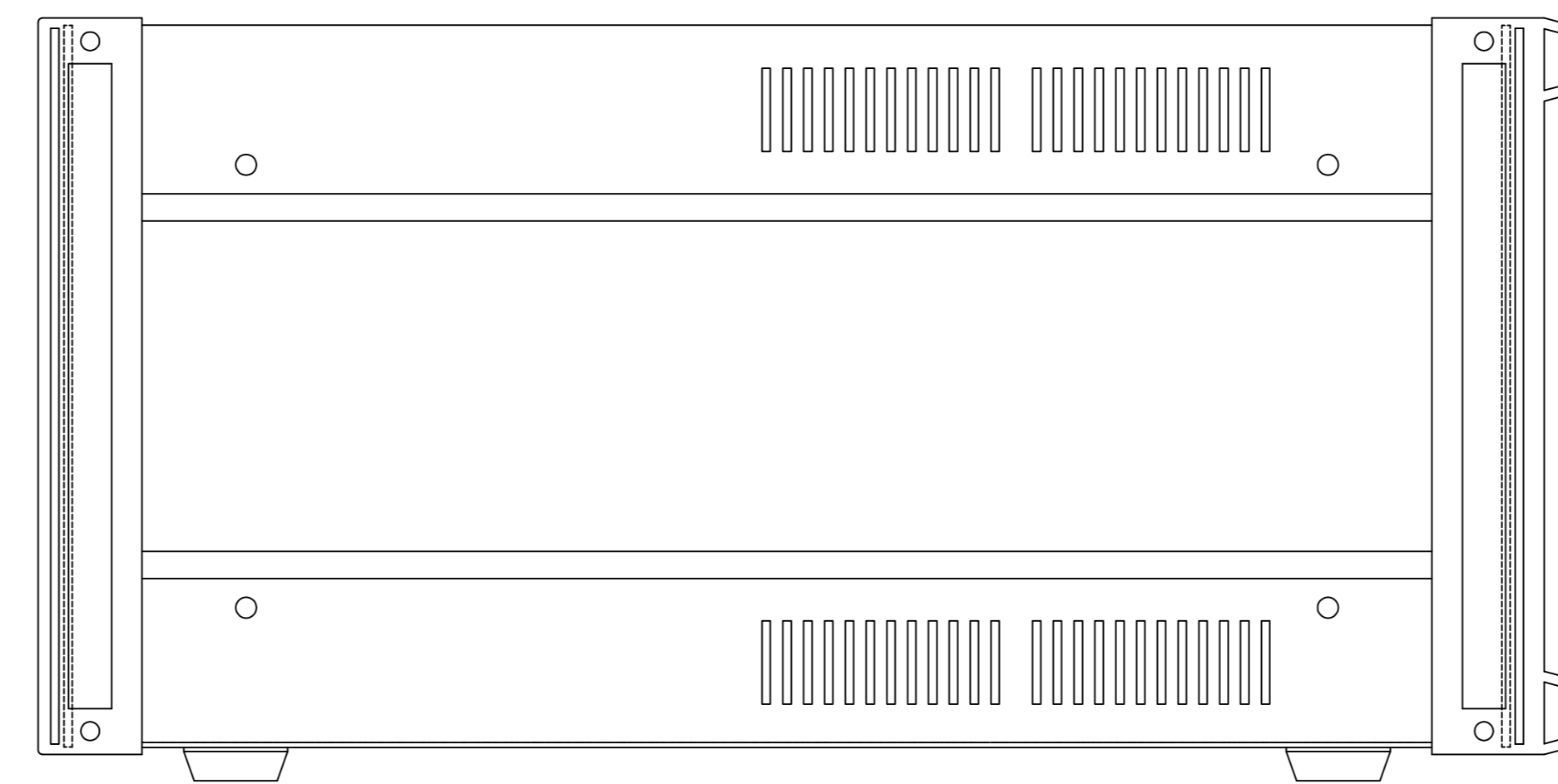
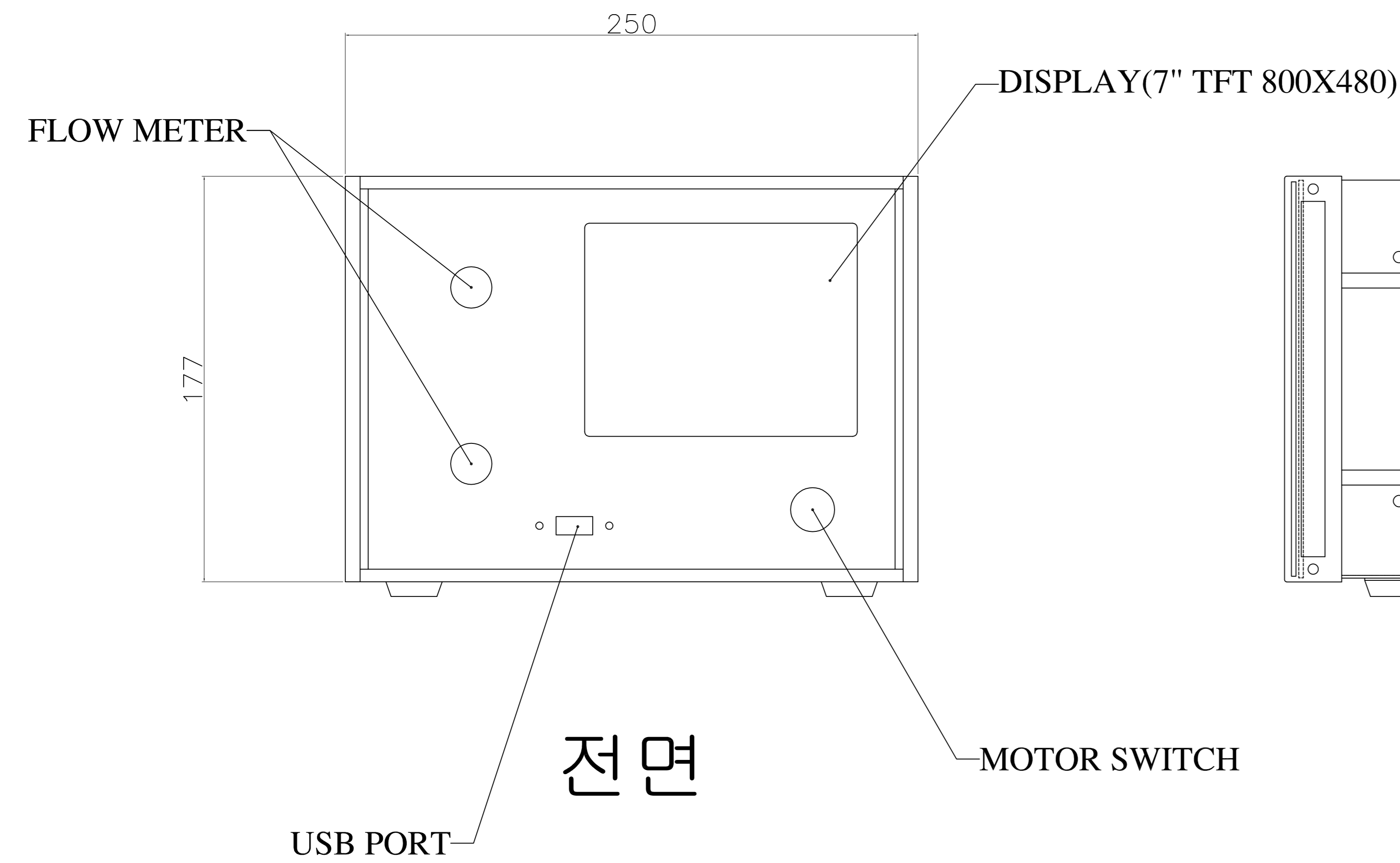
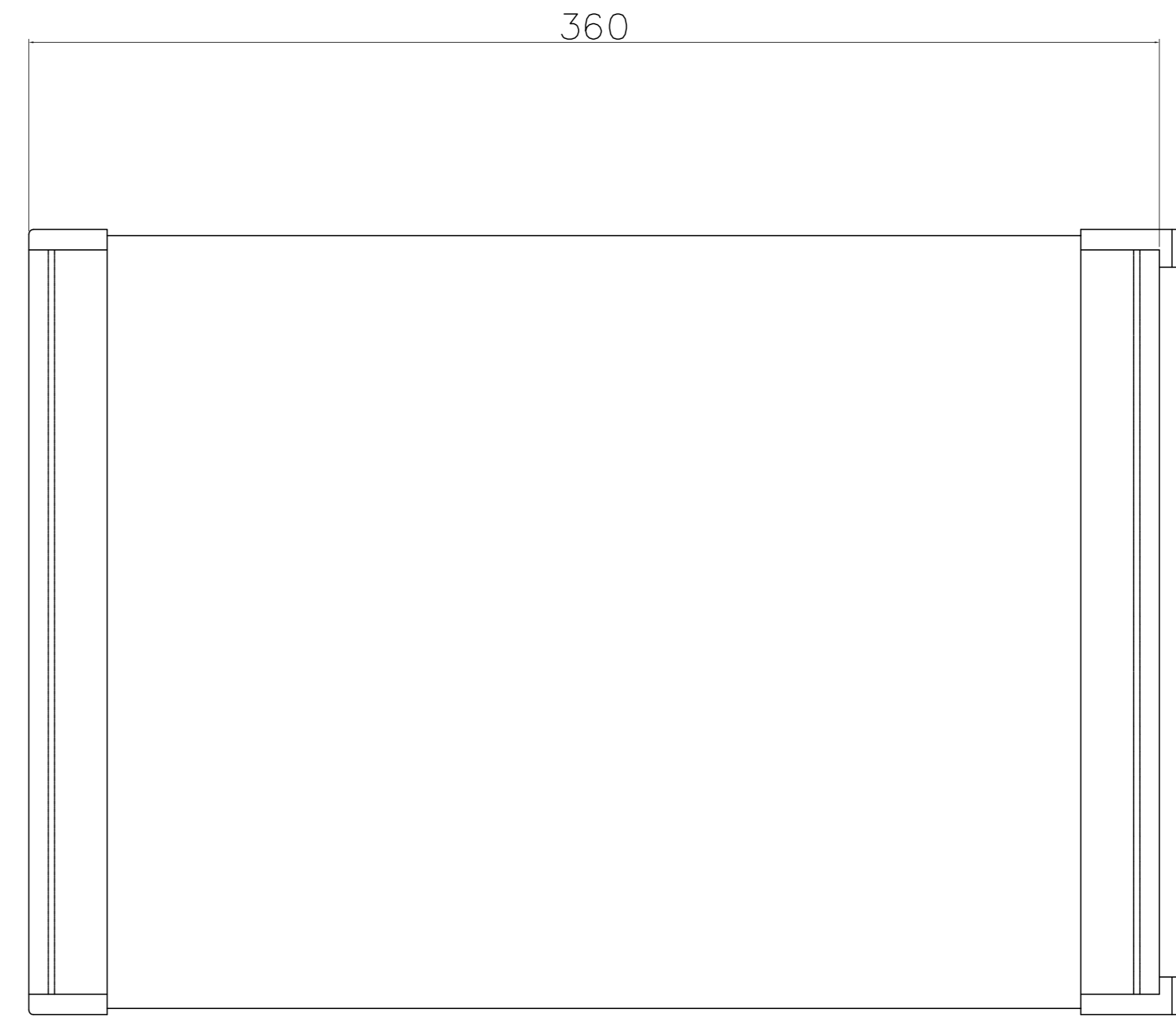


No.	Date	Revision	Draw	Check
1	--	---	-	-



1	BLD-1000		--	1	--
No.	Part name		Material	Quantity	Remarks
General Tolerance			Model name		
--	J	K	L	M	N
4	0.1	0.1	0.1	0.2	0.2
16	0.1	0.1	0.2	0.3	0.4
63	0.1	0.2	0.2	0.4	0.6
110	0.1	0.2	0.3	0.5	0.8
250	0.2	0.3	0.4	0.6	1.0
1000	0.3	0.4	0.5	0.8	1.2
Date.			Unit.	Scale	Rev.
2023.04.26			mm	1 : 1	0
Size.			NAS		
Drawing number			---		
P.J.W			Approve		
---			BLD-1000		

