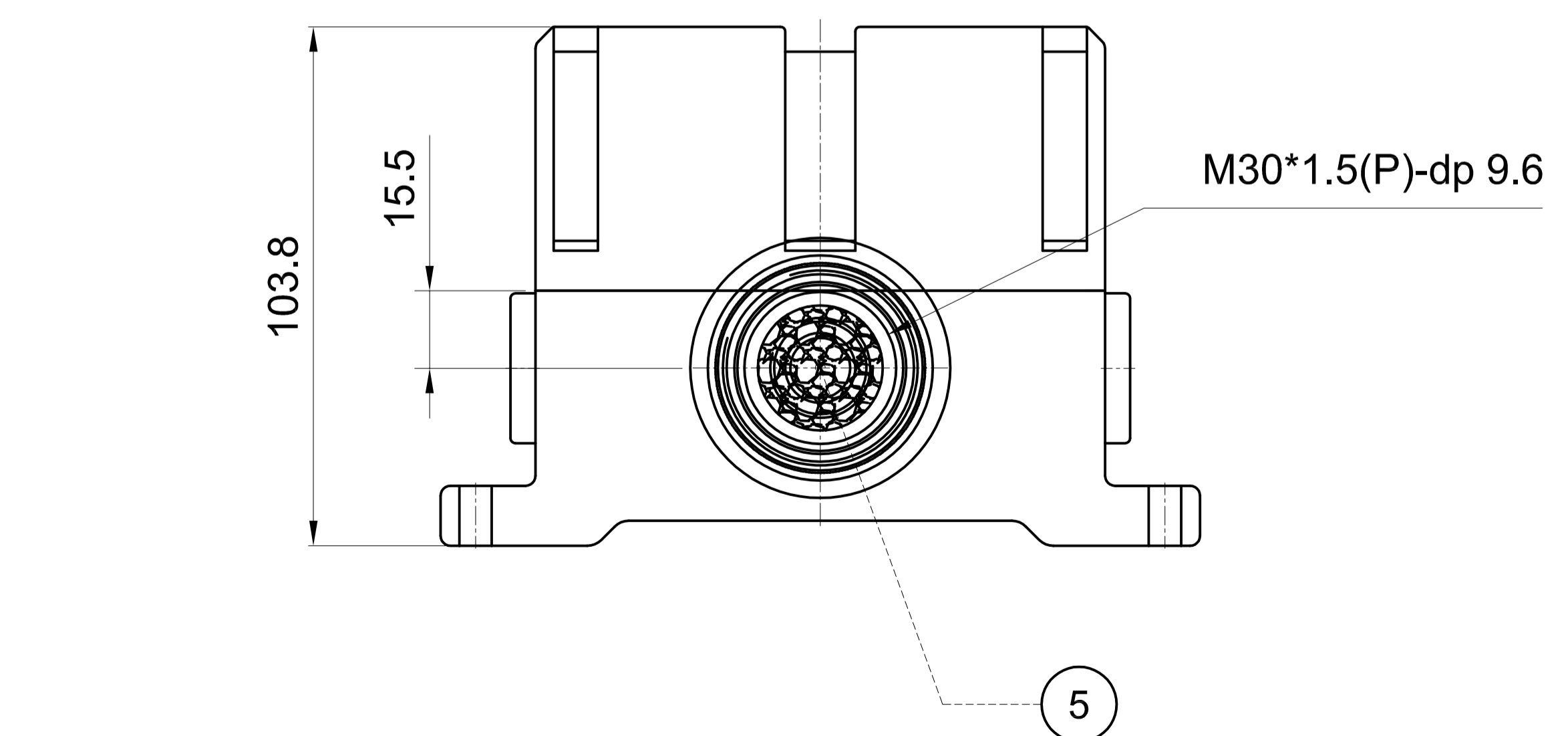
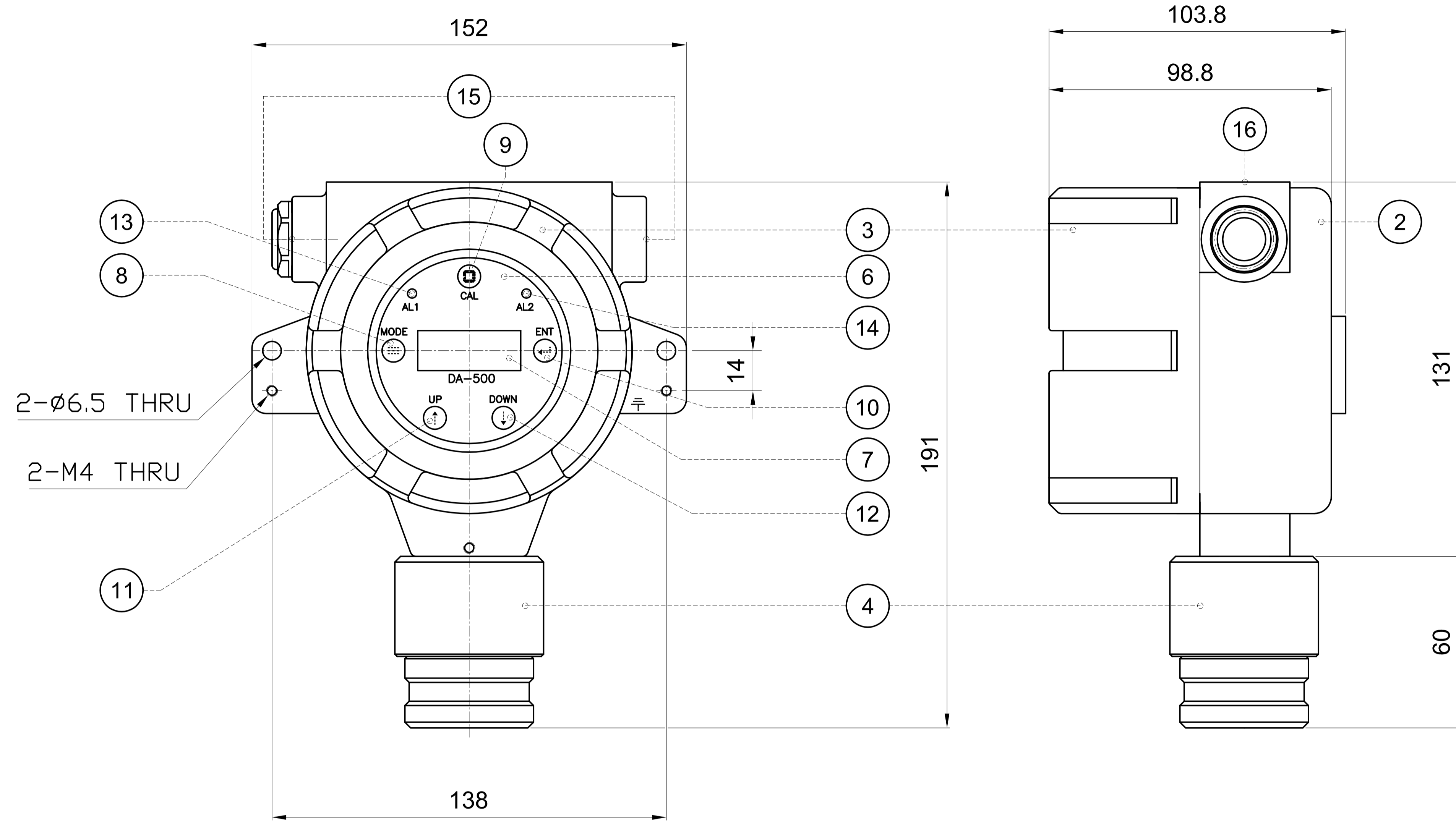


No.	Date	Revision	Draw	Check
1	--	---	-	-

1



Note.

- Threads standards & tolerance
 - Metric : 6g/6H ISO 965-1, ISO 965-3, coarse pitch ISO 262
 - PF : A class, ISO 228-1, KS B 0221
- Internal Nut / Gross Volume : 162.2 / 229.2 cm³
 - A L C A S E : 153.6 / 180.9 cm³
 - S E N S O R H O U S I N G : 8.6 / 48.3 cm³
- 신호전선 : CVVS & CVVSB 1.25sq * 3Wire - Shield Type

No.	Part name	Material	Quantity	Remarks
16	NAME PLATE	PVC/SUS	1	--
15	CABLE GLAND	--	1	--
14	AL 2 LED	--	1	--
13	AL 1 LED	--	1	--
12	DOWN BUTTON	--	1	--
11	UP BUTTON	--	1	--
10	ENT BUTTON	--	1	--
9	CAL BUTTON	--	1	--
8	MODE BUTTON	--	1	--
7	LCD SCREEN	--	1	--
6	LCD STICKER	NEXAN FILM	1	--
5	FILTER	PHOSPHOR BRONZE	1	--
4	SENSOR HOUSING ASS'Y	BRASS	1	--
3	AL CASE TOP	AL(AC4C)	1	--
2	AL CASE BOTTOM	AL(AC4C)	1	--
1	ASS'Y	--	--	--

General Tolerance						Model name		DA-500	
--	J	K	L	M	N	Draw	Check	Approve	Drawing number
- 4	0.1	0.1	0.1	0.2	0.2	P.J.W			---
4 - 16	0.1	0.1	0.2	0.3	0.4	Unit.	Scale	Rev.	
16 - 63	0.1	0.2	0.2	0.4	0.6	mm	1 : 1	0	
63 - 110	0.1	0.2	0.3	0.5	0.8	Date.		Size.	
110 - 250	0.2	0.3	0.4	0.6	1.0	2023.00.00		A1	
250 - 1000	0.3	0.4	0.5	0.8	1.2				

