

**Best Detectors,  
Best Service**



Infrared Thermometer Sensor

Smoke Sensor

# TS-60

## Temperature & Smoke Sensor

### | Features

TS-60 is built-in Non contact Infrared thermometer and smoke sensor.  
The most of existing temperature and smoke sensors in markets can detect fire after the heat reach to temperature and smoke detector.

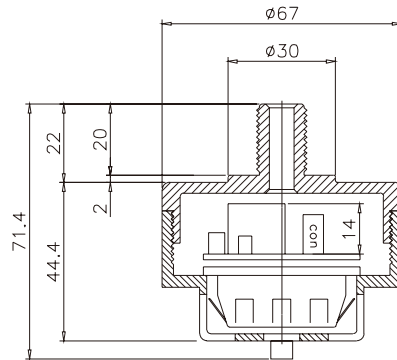
However, TS-60 detects the fire by increased infrared amount and low concentrated smoke in early stage of the fire and enables to prevent the fire in advance.



(주)가스디엔에이 인천광역시 서구 북항로 193번길 101 (원창동) A동(사무동), B동(생산동) 우편번호 : 22856  
Tel: 032)623-7507 Fax: 032)623-7510 E-mail: gasdna@gasdna.com Web: http://www.gasdna.com

[www.gasdna.com](http://www.gasdna.com)

## | Dimension



## | Product Specification

Segment	Non-contact Infrared Thermometer
Measuring Range	-70~380°C (Alarm value setting by DIP Switch)
Device	Termopile (Non-contact Infrared Thermometer)
Optical Resolution	45°
Optical Spectrum	8~14μm
Response Time	0.3sec
Relay Output	Relay A (DC 30V 1A)

Segment	Smoke Sensor
Detection Principle	Ionizations Smoke Chamber
Detection Method	Diffusion
Response Time	Within 3 sec
Relay Output	Relay A (DC 30V 1A)
Input Power	DC 22~26V
Currency Consumption	Maximum 50mA
Operating Temperature and Humidity	-20~50°C, 0~95% RH (Non-condensing)
Process	Digital Process

## | Authorized Distributor



101, Bukhang-ro 193beon-gil, Seo-gu, Incheon, 22856, Republic of Korea  
zip code : 22856  
TEL : +82-32-623-7507 | FAX : +82-32-623-7510  
sales@gasdna.com | http://www.gasdna.com